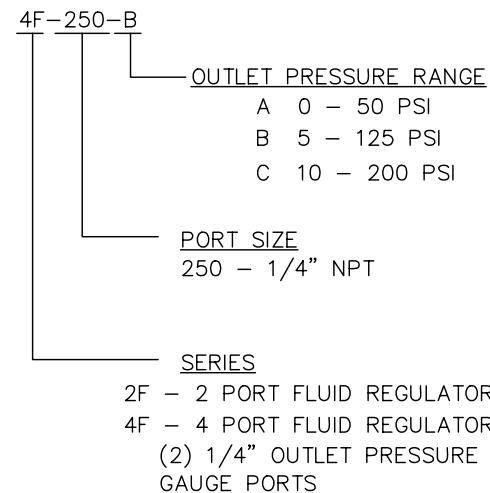



PARTS LIST

ITEM #	DESCRIPTION	PART NUMBER	MATERIAL
1	1/4" REGULATOR BODY	G-101	BRASS
2	BOTTOM PLUG	G-103	BRASS
3	SPRING RETAINER	G-304	BRASS
4	SPRING CHAMBER	G-105	BRASS
5	VALVE ASSEMBLY, VITON	J-15V	BRASS/VITON
6	DIAPHRAM, METAL	G-310	PHOS. BRONZE
7	GASKET, DIAPHRAM FIBER	G-111	RED FIBRE
8	"A" RANGE SPRING, 0-50 PSI	G-112-A	PLATED MUSIC WIRE
	"B" RANGE SPRING, 5-125 PSI	G-112-B	PLATED MUSIC WIRE
	"C" RANGE SPRING, 10-200 PSI	G-112-C	PLATED MUSIC WIRE
9	ADJUSTING SCREW LOCK NUT	G-113	BRASS
10	SPRING BUTTON	G-114	BRASS
11	T-HANDLE	G-115	303 SST.
12	VALVE SPRING	G-116	302 SST.
13	TURBULENCE PIN	G-120	18-8 SST.
14	TEFLON DIAPHRAM GASKET	G-311-T	TEFLON
15	VALVE STEM	G-307	BRASS
16	O'RING, SERIES 018 VITON	018-V75	VITON
17	1/4 NPT GAUGE PORT PLUG (NOT SHOWN)	1/4 PLUG	BRASS

HOW TO ORDER



MAX. INLET PRESSURE 400 PSI (27.6 BAR)  
NON-RELIEVING

MATL. AS SPECIFIED	APPROVALS				
	DRAWN H.H.	PROD.			
TOLERANCE SCHEDULE UNLESS OTHERWISE SPECIFIED	ENG.		TITLE: 1/4" 4 PORT FLUID PRESSURE REGULATOR		
FRACTIONAL: ± 1/64" ANGLES: ± 1/2" XX ± .010 XXX ± .005 CONCENTRICITY: .005 T.I.R. FINISHED SURFACES: 63 Ra BREAK CORNERS/EDGES: .016 MAX.	MFG.	SIZE: A	DATE: 1-20-10	DWG. NO. 4F-250	REV.
	Q.A.	SCALE: 1:1	SHEET: 1 OF 1		

THIS DOCUMENT CONTAINS INFORMATION THAT IS CONFIDENTIAL AND PROPRIETARY TO GENERANT CO. INC.. THIS DOCUMENT IS FURNISHED ON THE UNDERSTANDING THAT THE DOCUMENT AND INFORMATION IT CONTAINS WILL NOT BE COPIED OR DISCLOSED TO OTHERS EXCEPT WITH THE WRITTEN CONSENT OF GENERANT. IT WILL NOT BE USED FOR ANY PURPOSE OTHER THAN CONDUCTING BUSINESS WITH GENERANT, AND WILL BE RETURNED AND ALL FURTHER USE DISCONTINUED UPON REQUEST BY GENERANT.