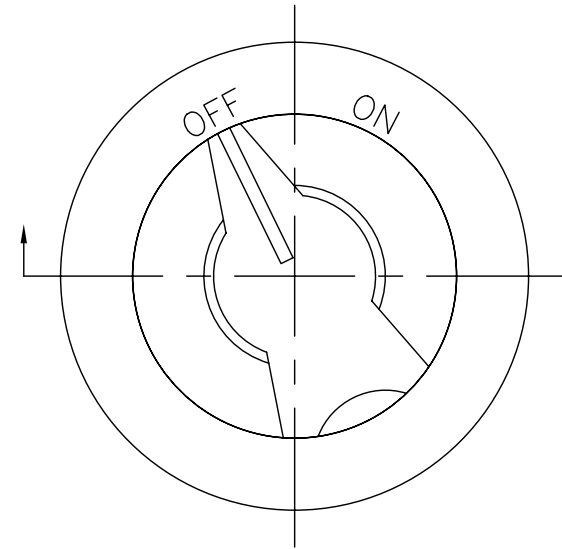
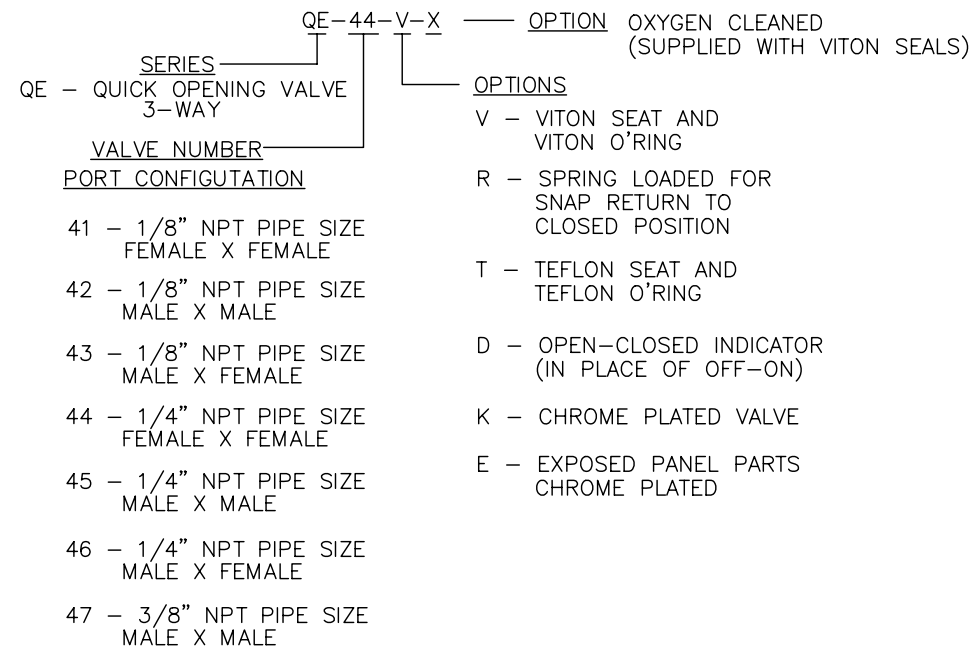


PARTS LIST

ITEM #	DESCRIPTION	PART NUMBER	MATERIAL
1	BODY, 1/4"	G-4000-4	BRASS
2	PANEL NUT	G-4008	BRASS
3	KNOB	G-4011	THERMOSETTING PHENOLIC
4	PLATE-INDICATOR, ON/OFF	G-4001	ALUMINUM
5	BONNET, 3-WAY	G-4002-3	BRASS
6	ROLLER	G-4006-B (2)	BRASS
7	HOUSING	G-4005	BRASS
8	SPRING	G-4007	17-7 STAINLESS STEEL
9	O-RING CUP	G-4014	BRASS
10	O-RING	008-B70	BUNA-N
11	STEM, 3-WAY	G-4003-3	BRASS
12	ROLLER PIN	G-4006-A	ALLOY STEEL
13	VALVE SEAT ASSEMBLY	G-4004-V	BRASS/VITON



HOW TO ORDER

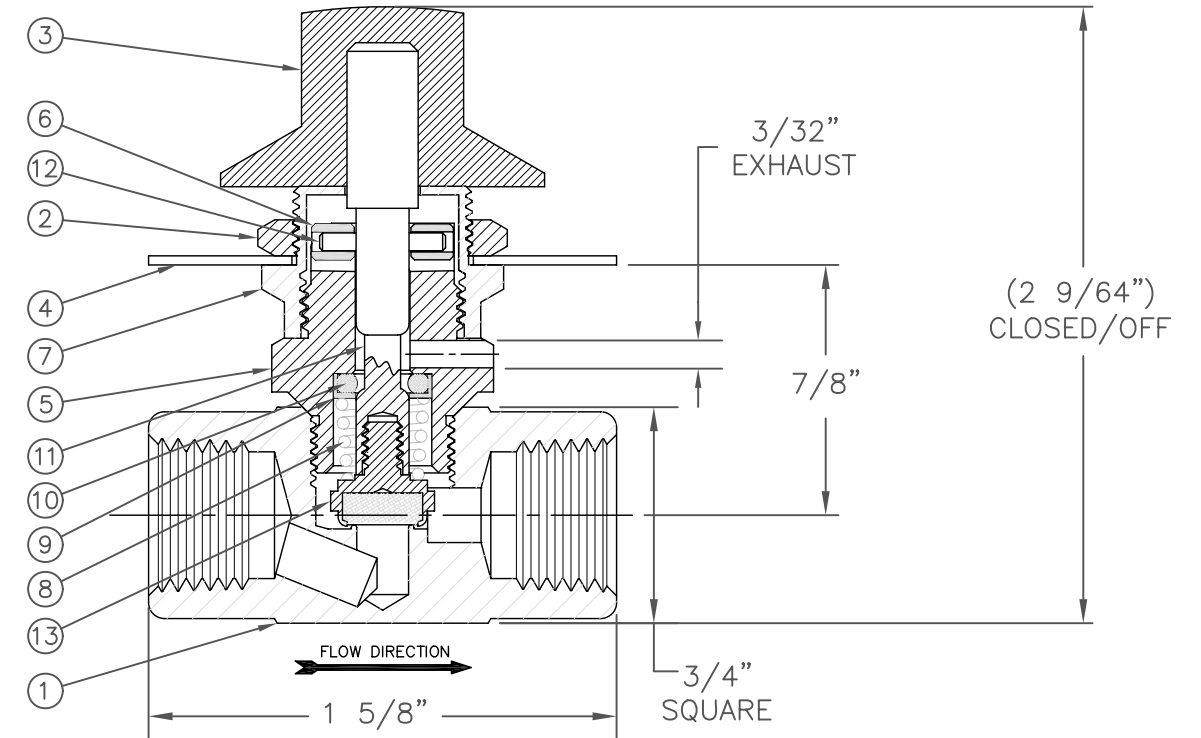


SPECIFICATIONS

OPERATING PRESSURE: 150 PSI MAX.
 ORIFICE 3/16"
 OFF POSITION BLEEDS DOWN STREAM TO ATMOSPHERE

PANEL INFORMATION

5/8" PANEL HOLE
 5/32" MAX. PANEL THICKNESS



THIS DOCUMENT CONTAINS INFORMATION THAT IS CONFIDENTIAL AND PROPRIETARY TO GENERANT CO. INC.. THIS DOCUMENT IS FURNISHED ON THE UNDERSTANDING THAT THE DOCUMENT AND INFORMATION IT CONTAINS WILL NOT BE COPIED OR DISCLOSED TO OTHERS EXCEPT WITH THE WRITTEN CONSENT OF GENERANT. IT WILL NOT BE USED FOR ANY PURPOSE OTHER THAN CONDUCTING BUSINESS WITH GENERANT, AND WILL BE RETURNED AND ALL FURTHER USE DISCONTINUED UPON REQUEST BY GENERANT.

MAT'L AS SPECIFIED	APPROVALS	GENERANT				
TOLERANCE SCHEDULE UNLESS OTHERWISE SPECIFIED	DRAWN H.H. PROD.					
FRACTIONAL: ± 1/64" ANGLES: ± 1/2" XX ± .010 XXX ± .005 CONCENTRICITY: .005 T.I.R. FINISHED SURFACES: 63 Ra BREAK CORNERS/EDGES: .016 MAX.	ENG.	TITLE: 3-WAY QUICK OPENING VALVE	MFG.	DATE: 1-28-10	DWG. NO. QE-44	REV.
	Q.A.	SCALE: 1.5:1			SHEET: 1 OF 1	