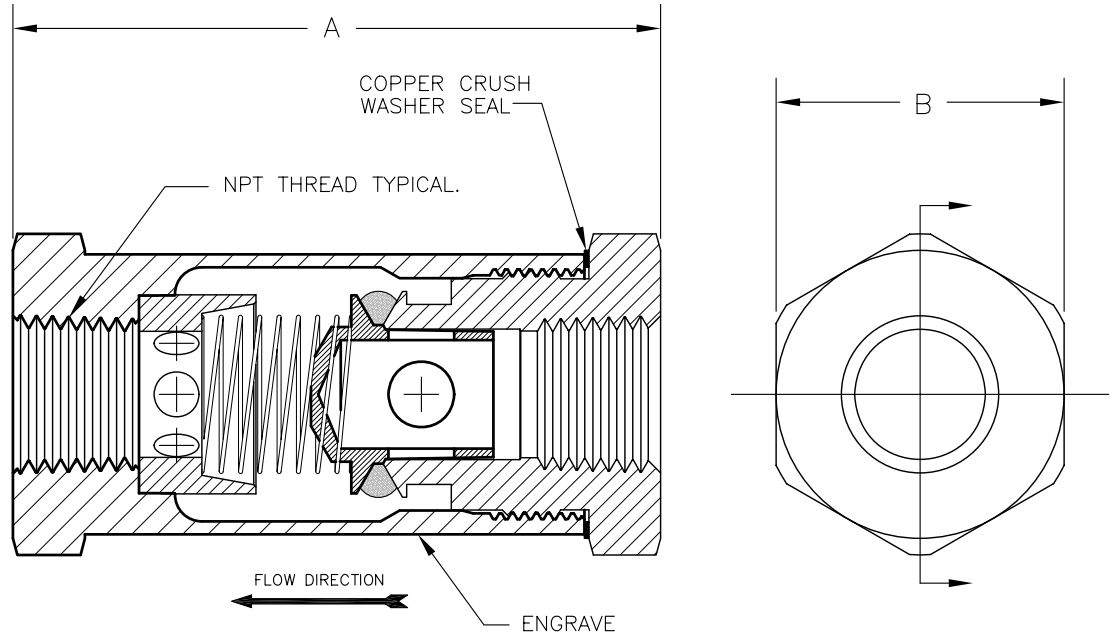


REVISIONS			
DCR	DESCRIPTION	DATE	REV.
1163	CONVERTED TO ACAD	9-16-10	A

TECHNICAL DATA

NOMINAL CRACK PRESSURES: .15, 1, 3 & 8 PSIG  
 PROOF PRESSURE: 4500 PSIG  
 MAX. OPERATING PRESSURE: 1000 PSIG @ 70° F.  
 TEMPERATURE RANGE: -320° F TO 350° F.



HOW TO ORDER

SERIES  
 CV - CHECK VALVE

PIPE SIZE (NPT)  
 253 - 1/4" NPT  
 373 - 3/8" NPT  
 503 - 1/2" NPT  
 753 - 3/4" NPT  
 1003 - 1" NPT

MATERIAL CODE  
 B - BRASS  
 S - 303 STAINLESS STEEL  
 SS - 316 STAINLESS STEEL

HOW TO ORDER  
 CV - 253 B - T - 1 - X

OPTIONAL CLEANED FOR OXYGEN SERVICE

NOMINAL SET PRESSURE  
 .15 - (.1 - .4 PSIG)  
 1 - (.5 - 1 PSIG)  
 3 - (2 - 4 PSIG)  
 8 - (6 - 10 PSIG)

SEAL MATERIAL  
 T - PTFE

NOTES:  
 1) NPT THREADS CONFORM TO ANSI/ASME STANDARD B1.20.1

PIPE SIZE	THREAD	A (INCH)	B	Cv
253	1/4"-18 NPT	2.25	1"	3.0
373	3/8"-18 NPT	2.43	1 1/8"	3.9
503	1/2"-14 NPT	2.93	1 1/2"	7.4
753	3/4"-14 NPT	3.37	1 3/4"	11.4
1003	1"-11 1/2 NPT	3.99	2"	14.2

MATL. AS SPECIFIED	APPROVALS		<b>GENERANT</b>
	DRAWN H.H.	PROD. M.G.	
TOLERANCE SCHEDULE UNLESS OTHERWISE SPECIFIED	ENG. B.B.	TITLE: CRYOGENIC LIQUID SERVICE CHECK VALVE	
FRACTIONAL: ± 1/64" ANGLES: ± 1/2" XX ± 1/16" XXX ± .005 CONCENTRICITY: .005 T.I.R. FINISHED SURFACES: 63 Ra BREAK CORNERS/EDGES: .016 MAX.	MFG. M.G.	SIZE: A	DATE: 9-16-10
	Q.A. C.G.	DWG. NO.	CV-***3*-T-*
SCALE: 1.5:1		SHEET: 1 OF 1	

THIS DOCUMENT CONTAINS INFORMATION THAT IS CONFIDENTIAL AND PROPRIETARY TO GENERANT CO. INC.. THIS DOCUMENT IS FURNISHED ON THE UNDERSTANDING THAT THE DOCUMENT AND INFORMATION IT CONTAINS WILL NOT BE COPIED OR DISCLOSED TO OTHERS EXCEPT WITH THE WRITTEN CONSENT OF GENERANT. IT WILL NOT BE USED FOR ANY PURPOSE OTHER THAN CONDUCTING BUSINESS WITH GENERANT, AND WILL BE RETURNED AND ALL FURTHER USE DISCONTINUED UPON REQUEST BY GENERANT.