

BPR
BPR
BPR

SERIES

Description

BPR Series back pressure regulators are designed for use as both economizers or diaphragm type pressure limiting devices on cryogenic liquid cylinders and systems. Optimized diaphragm and adjustment spring designs provide high flow above the desired setpoint. Robust metal-metal seal and seat design ensures low leakage rates below setpoint. The BPR Series is constructed of primarily brass and stainless steel for long-lasting performance. All BPR Series regulators are supplied factory pre-set and cleaned for oxygen service.

Features

- **OPTIMIZED FOR HIGH FLOW:** Optimized Diaphragm and Spring Design allows for high flow rates at pressures beyond setpoint.
- **QUICK SHUT-OFF:** Regulators transition from the flowing condition to shut in a tight pressure band.
- **INLET FILTER SCREEN:** Protects against system debris and particulate.
- **DESIGNED FOR CRYOGENICS:** All materials were selected specifically for use in cryogenic environments.
- **FIELD ADJUSTABLE:** Regulators can be adjusted to any desired setpoint within the spring's pressure range.
- **CLEANED FOR OXYGEN SERVICE:** Regulators are cleaned for use in Oxygen service standard.

Technical Data

Max Inlet Pressure: 600 PSIG (41.4 bar)

Pressure Ranges:

Spring	Pressure Range
A	15 to 65 PSIG (1.0 to 4.5 bar)
B	50 to 175 PSIG (3.4 to 12.1 bar)
C	150 to 350 PSIG (10.3 to 24.1 bar)
D	300 to 525 PSIG (20.7 to 36.2 bar)

A, B, and C Range Springs are interchangeable.
D Range Spring requires Chamber Ring.

Temperature Range: -320° to 200°F (-196° to 93°C)

Materials of Construction

Component	Material
Body, Chamber, Spring Button, Spring Retainer, Chamber Ring	CDA 360 Brass, ASTM B16
Adjustment Springs	Chrome Silicon, ASTM A401
Adjustment Screw, Locknut, Diaphragm Assembly Screw, Lock Washer	18-8 Stainless Steel
Poppet, Seat	303 SS, ASTM A313
Diaphragms	Phosphor Bronze
Inlet Filter Screen	Brass Wire Mesh, ASTM E437
Diaphragm Gasket	Vulcanex ®
Chamber and Diaphragm Assembly Seal	Gylon ®

NOTE: Regulators are assembled with Dupont Krytox® lubricant.



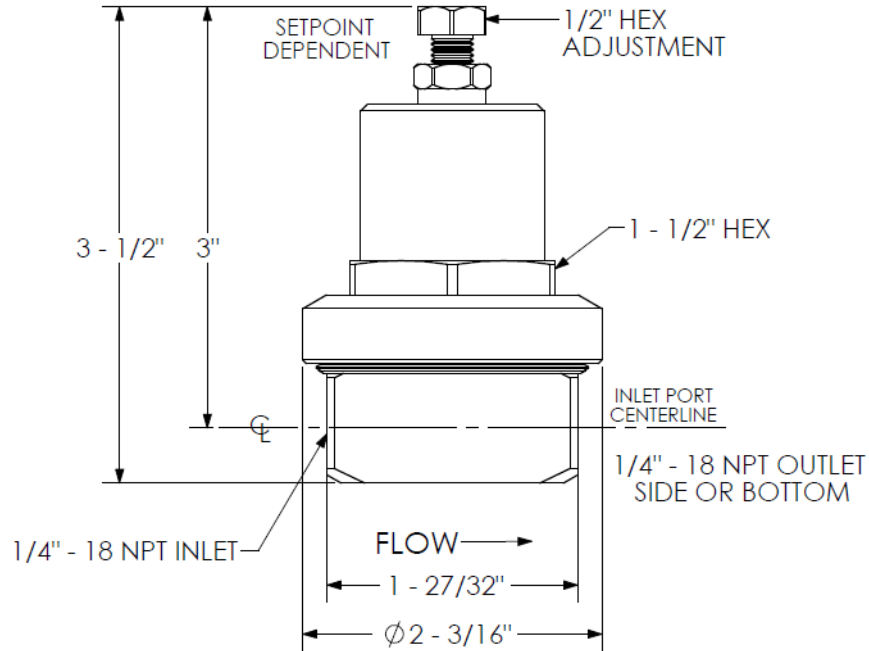
BPR-250



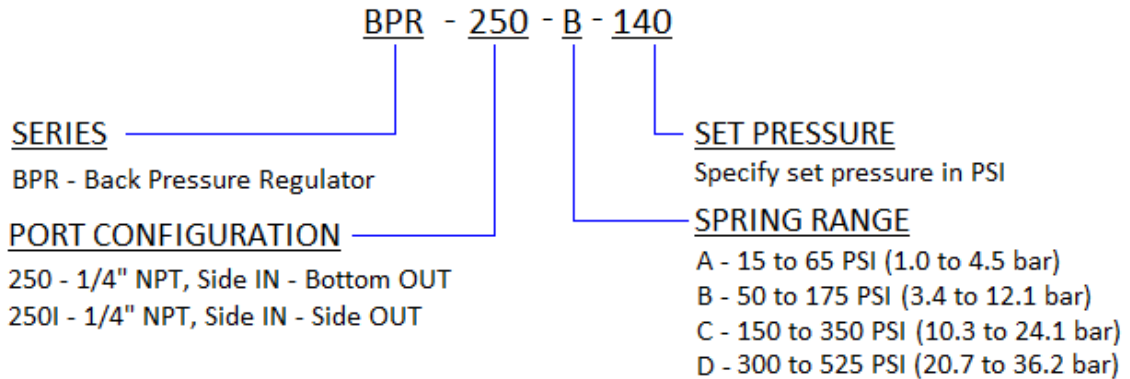
BPR-250I

BACK PRESSURE REGULATOR

Dimensional Data



How To Order



Replacement Spring Kits / Repair Kit

Part Number	Spring
CRM-SK-A	A (15 to 65 PSI)
CRM-SK-B	B (50 to 175 PSI)
CRM-SK-C	C (150 to 350 PSI)
CRM-SK-D	D (300 to 525 PSI)

All Replacement Spring Kits come with a Replacement Spring, Adjustment Screw, Chamber Seal, and either Diaphragm Gasket (A, B, and C springs) or Chamber Ring (D Spring).

PROPER COMPONENT SELECTION – When specifying a component, the total system design must be considered to ensure safe and trouble-free performance. Intended component function, materials compatibility, pressure ratings, installation, environment and maintenance are the responsibility of the system designer.



www.generant.com

1865 Route 23 South PO Box 768 Butler, New Jersey 07405 973.838.6500 Fax 973.838.4888