

BPR

SERIES

DESCRIPTION:

BPR Series back pressure regulators are designed for use as both economizers or diaphragm type pressure limiting devices on cryogenic liquid cylinders and systems. Optimized diaphragm and adjustment spring designs provide high flow above the desired setpoint. Robust metal-metal seal and seat design ensures low leakage rates below setpoint. The BPR Series is constructed of primarily brass and stainless steel for long-lasting performance. All BPR Series regulators are supplied factory pre-set and cleaned for oxygen service.

FEATURES:

- **OPTIMIZED FOR HIGH FLOW:** Designed for high flow rates in economizer and vent-to-atmosphere applications.
- **QUICK SHUT-OFF:** Regulators transition from the flowing condition to shut in a tight pressure band.
- **INLET FILTER SCREEN:** Protects against system debris and particulate.
- **DESIGNED FOR CRYOGENICS:** All materials were selected specifically for use in cryogenic environments.
- **FIELD ADJUSTABLE:** Regulators can be adjusted to any desired setpoint within the spring's pressure range.
- **CLEANED FOR OXYGEN SERVICE:** Regulators are cleaned for use in Oxygen service standard.

TECHNICAL DATA:

Max Inlet Pressure: 600 PSIG (41.4 bar)

Pressure Ranges:

| Spring | Pressure Range | PSI/Turn* |
|--------|------------------------------------|-----------|
| A | 15 to 65 PSIG (1.0 to 4.5 bar) | 15 |
| B | 50 to 175 PSIG (3.4 to 12.1 bar) | 25 |
| C | 150 to 350 PSIG (10.3 to 24.1 bar) | 55 |
| D | 300 to 525 PSIG (20.7 to 36.2 bar) | 70 |

*PSI/Turn Value is approximate change in setpoint per full turn of the adjustment screw (CW to increase, CCW to decrease), for reference only.

Temperature Range: -320° to 200°F (-196° to 93°C)

MATERIALS OF CONSTRUCTION:

| Component | Material |
|--|----------------------------|
| Body, Chamber, Spring Button, Spring Retainer, Chamber Ring | CDA 360 Brass, ASTM B16 |
| Adjustment Springs | Chrome Silicon, ASTM A401 |
| Adjustment Screw, Locknut, Diaphragm Assembly Screw, Lock Washer | 18-8 Stainless Steel |
| Poppet, Seat | 303 SS, ASTM A313 |
| Diaphragms, Res. Damper | Phosphor Bronze |
| Inlet Filter Screen | Brass Wire Mesh, ASTM E437 |
| Diaphragm Gasket | Vulcanex ® |
| Chamber and Diaphragm Assembly Seal | Gylon ® |

NOTE: Regulators are assembled with Dupont Krytox® lubricant.



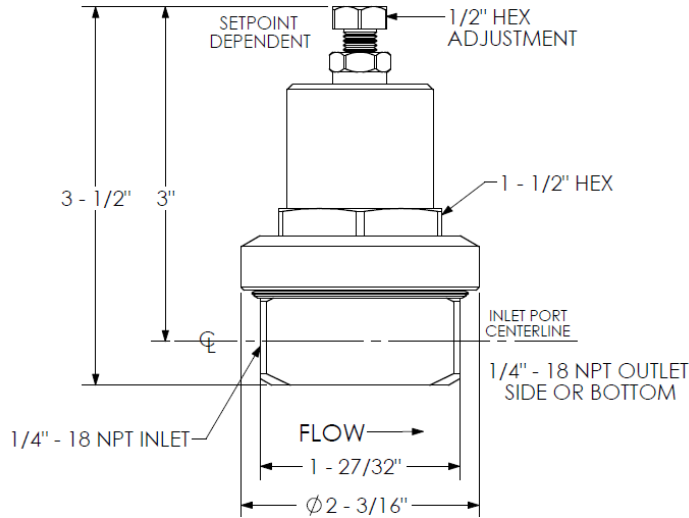
BPR-250



BPR-250I

BACK PRESSURE REGULATOR

DIMENSIONAL DATA

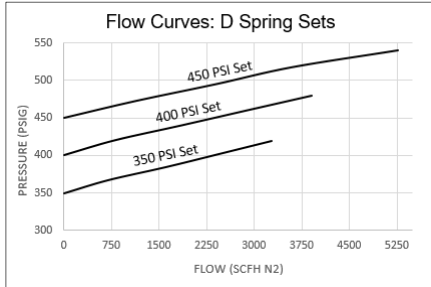
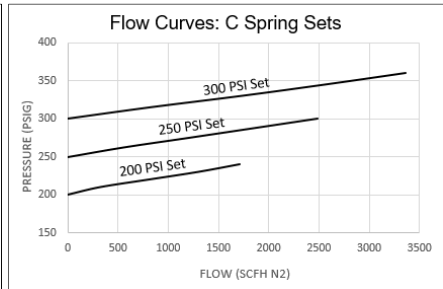
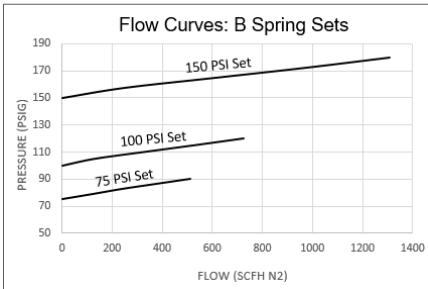
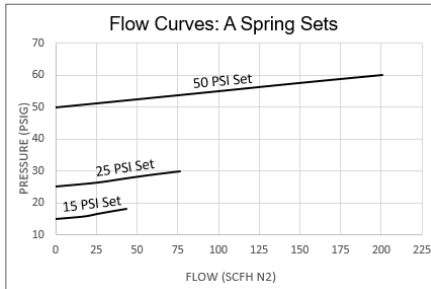


SPRING KITS

| Part Number | Spring |
|-------------|--------------------|
| BPR-SK-A | A (15 to 65 PSI) |
| BPR-SK-B | B (50 to 175 PSI) |
| BPR-SK-C | C (150 to 350 PSI) |
| BPR-SK-D | D (300 to 525 PSI) |

All Replacement Spring Kits come with a Replacement Spring Assembly, Chamber Seal, and either Diaphragm Gasket (A, B, and C springs) or Chamber Ring (D Spring).

FLOW PERFORMANCE



NOTES:

Flow Curves are derived from actual test data at test points up to 120% accumulation above set pressure.

All tests conducted with 0 PSIG on the outlet.

For flow information at higher overpressures, set pressures not listed, or for applications where back pressure is present on the outlet, consult factory.

HOW TO ORDER

BPR - 250 - B - 140

SERIES _____
BPR - Back Pressure Regulator

PORT CONFIGURATION _____
250 - 1/4" NPT, Side IN - Bottom OUT
250I - 1/4" NPT, Side IN - Side OUT

SET PRESSURE _____
Specify Set Pressure in PSI
OMIT FOR STANDARD SET (BY SPRING, SEE TABLE)

SPRING RANGE _____
A - 15 to 65 PSI (1.0 to 4.5 bar)
B - 50 to 175 PSI (3.4 to 12.1 bar)
C - 150 to 350 PSI (10.3 to 24.1 bar)
D - 300 to 525 PSI (20.7 to 36.2 bar)

| Spring | Std. Set |
|--------|----------|
| A | 35 PSI |
| B | 125 PSI |
| C | 300 PSI |
| D | 450 PSI |

Standard Sets do not come engraved with "Factory Set Pressure."

PROPER COMPONENT SELECTION – When specifying a component, the total system design must be considered to ensure safe and trouble-free performance. Intended component function, materials compatibility, pressure ratings, installation, environment and maintenance are the responsibility of the system designer.



www.generant.com

1865 Route 23 South PO Box 768 Butler, New Jersey 07405 973.838.6500 Fax 973.838.4888