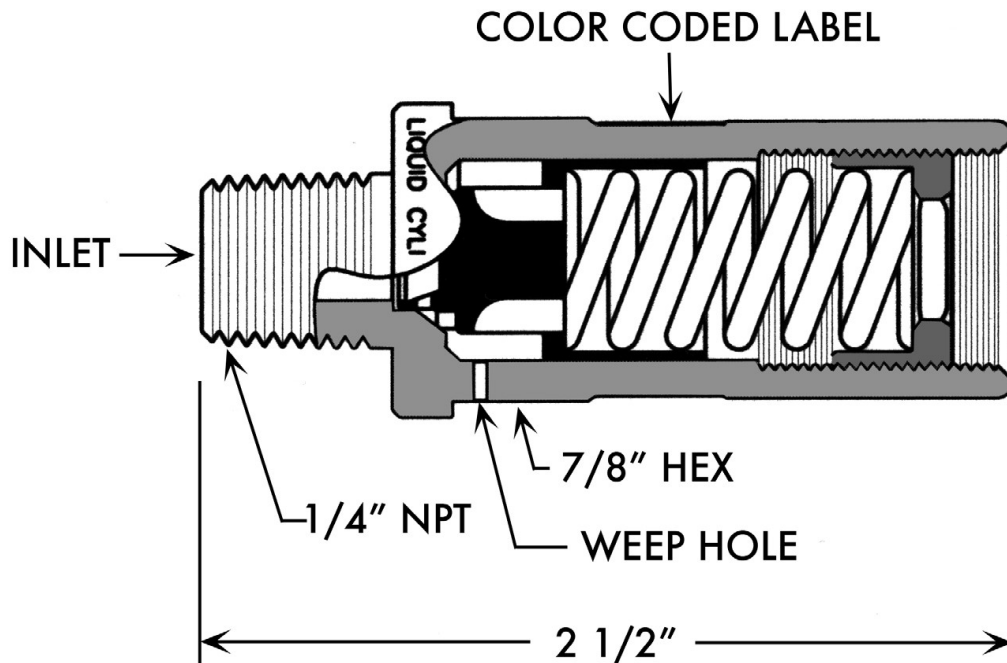


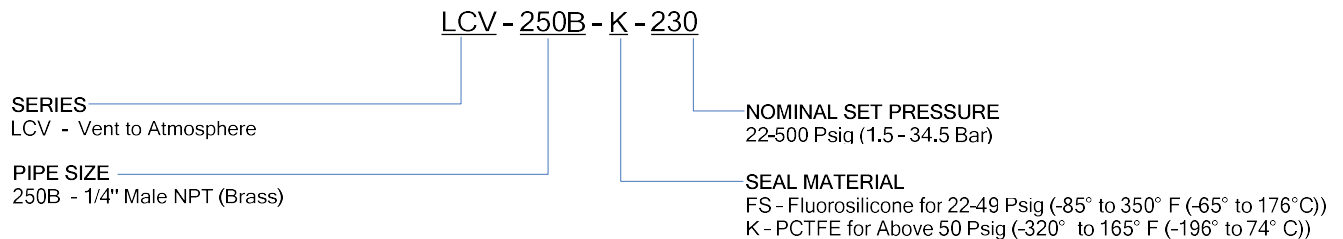
LIQUID CYLINDER VALVE



Flow Data

Set Pressure (PSIG)	Flow Rate (SCFM N2)	
	110% Set Pressure	120% Set Pressure
22	11.8	12.4
100	21.8	31.0
230	43.9	64.7
350	61.2	85.3
500	77.1	111.4

How To Order



PROPER COMPONENT SELECTION – When specifying a component, the total system design must be considered to ensure safe and trouble-free performance. Intended component function, materials compatibility, pressure ratings, installation, environment and maintenance are the responsibility of the system designer.



www.generant.com

1865 Route 23 South PO Box 768 Butler, New Jersey 07405 973.838.6500 Fax 973.838.4888

SA.SL.LCV001.G.4863