

BPRX SERIES

**DESCRIPTION:**

BPRX Series back pressure regulators are designed especially for use as high efficiency economizer regulators on large cryogenic tanks, trailers, and systems. Optimized diaphragm and adjustment spring designs provide high flow at pressures above the desired setpoint. It is designed for cryogenic service with a lapped poppet and seat to minimize leakage below setpoint. The BPRX Series is offered in brass or stainless steel material configurations and has been extensively qualified for long-lasting performance. All BPRX Series regulators are supplied factory pre-set and cleaned for oxygen service.

**FEATURES:**

- **OPTIMIZED FOR HIGH FLOW:** Designed for high flow rates in economizer and vent-to-atmosphere applications.
- **QUICK SHUT-OFF:** Regulators transition from the flowing condition to shut in a tight pressure band.
- **INLET FILTER SCREEN:** Monel® Filter Screen protects against system debris and particulate.
- **DESIGNED FOR CRYOGENICS:** All materials were selected specifically for use in cryogenic environments.
- **FIELD ADJUSTABLE:** Regulators can be adjusted to any desired setpoint within the spring's pressure range.
- **CLEANED FOR OXYGEN SERVICE:** Regulators are cleaned for use in Oxygen service standard.

**TECHNICAL DATA:**

Maximum Inlet Pressure: 750 PSIG (51.7 bar)

Pressure Ranges:

Spring	Pressure Range	PSI/Turn*
A	15 to 75 PSIG (1.0 to 5.2 bar)	10
B	50 to 200 PSIG (3.4 to 13.8 bar)	25
C	100 to 350 PSIG (6.9 to 24.1 bar)	45
D	300 to 600 PSIG (20.7 to 41.4 bar)	75

\*PSI/Turn Value is approximate change in setpoint per full turn of the adjustment screw (CW to increase, CCW to decrease), for reference only.

Temperature Range: -320° to 200°F (-196° to 93°C)

**MATERIALS OF CONSTRUCTION:**

Component	Material Grade	
	Brass Body	316 Stainless Body
Body, Chamber, Spring Retainer, Chamber Ring	CDA 360 Brass, ASTM B16	316SS, ASTM A479
Adjustment Springs	17-7PH SS	
Adjustment Screw, Locknuts (2), Lock Washer, Ball Bearing, Spring Button	Stainless Steel (Non-Wetted)	
Seat and Poppet Set	316 SS (A479) or Monel®	316SS, ASTM A479
Diaphragms, Damper	Phosphor Bronze	300 Series Stainless Steel
Inlet Filter Screen	Monel®, ASTM E437	
Seat Seal	PTFE	
Chamber and Diaphragm Assm. Seal	Gylon®	

NOTE: Regulators are assembled with Krytox® lubricant.



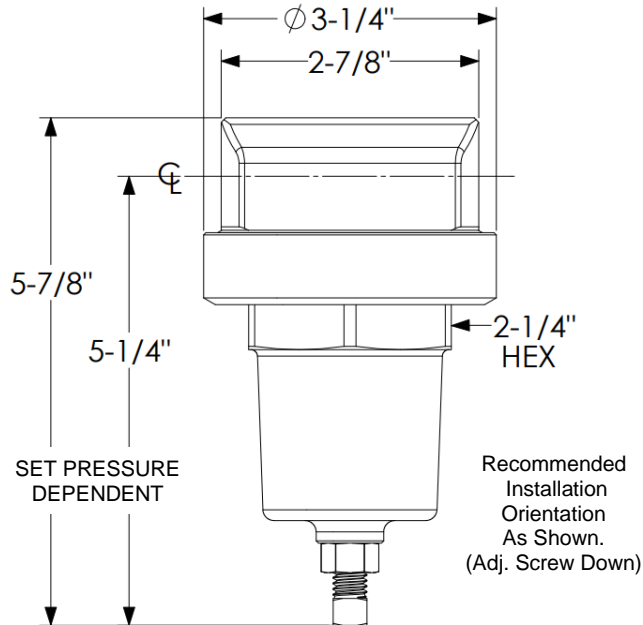
BRASS



316SS

# BACK PRESSURE REGULATOR

## DIMENSIONAL DATA



## FLOW INFORMATION (500 Size - 1/2" NPT)

Set Pressure (PSIG)	Economizer Cv Value		
	110%	120%	130%
50	0.314	0.554	0.688
150	0.603	0.795	0.935
325	0.612	0.838	0.902
475	0.591	0.658	0.658

Set Pressure (PSIG)	Flow to Atm. (SCFH N2)		
	110%	120%	130%
50	990	1280	1400
150	1550	3975	5750
325	4950	9900	13725
475	5150	10450	13125

## HOW TO ORDER

### BPRX - 500B - B - 140 - M

#### SERIES

BPRX - Back Pressure Regulator, Large Body

#### PORT CONFIGURATION

375B - 3/8" NPT, Brass  
 500B - 1/2" NPT, Brass  
 375SS - 3/8" NPT, 316 Stainless Steel  
 500SS - 1/2" NPT, 316 Stainless Steel

Spring	Std. Set
A	50
B	150
C	325
D	475

Standard Sets do not come engraved with "Factory Set Pressure."

#### M OPTION

Monel® Option for Poppet and Seat  
 OMIT for 316SS Poppet and Seat

#### SET PRESSURE

Specify set pressure in PSI  
 OMIT FOR STANDARD SET (BY SPRING, SEE TABLE)

#### SPRING RANGE

A - 15 to 75 PSI (1.0 to 5.2 bar)  
 B - 50 to 200 PSI (3.4 to 13.8 bar)  
 C - 100 to 350 PSI (6.9 to 24.1 bar)  
 D - 300 to 600 PSI (20.7 to 41.4 bar)

## SPRING KITS

Part Number	Description
BLD-SK-*	Spring Kit, A, B, C Range * Specify Model Spring Code: A, B, C
BPRX-SK-D	Spring Kit, D Range

Note: BLD & BPRX Spring kits are identical for Spring Ranges A, B, C. All Spring kits come with a Replacement Spring & Chamber Seal. D Spring kit also contains Diaph. Seal, Chamber Ring, & Retainer.

## REPAIR KITS

Part Number	Description	Seat / Poppet Mat'l
BPRX-RK-*	Seat & Poppet Set, Diaphragms, Gaskets, Seat Seal, Inlet Filter	316 SS
BPRX-RK-M-*		Monel®

\* Specify "B" for Phos. Bronze Diaphragms  
 Specify "SS" for Stainless Steel Diaphragms

PROPER COMPONENT SELECTION - When specifying a component, the total system design must be considered to ensure safe and trouble-free performance. Intended component function, materials compatibility, pressure ratings, installation, environment, and maintenance are the responsibility of the system designer.



www.generant.com

1865 Route 23 South PO Box 768 Butler, New Jersey 07405 973.838.6500 Fax 973.838.4888