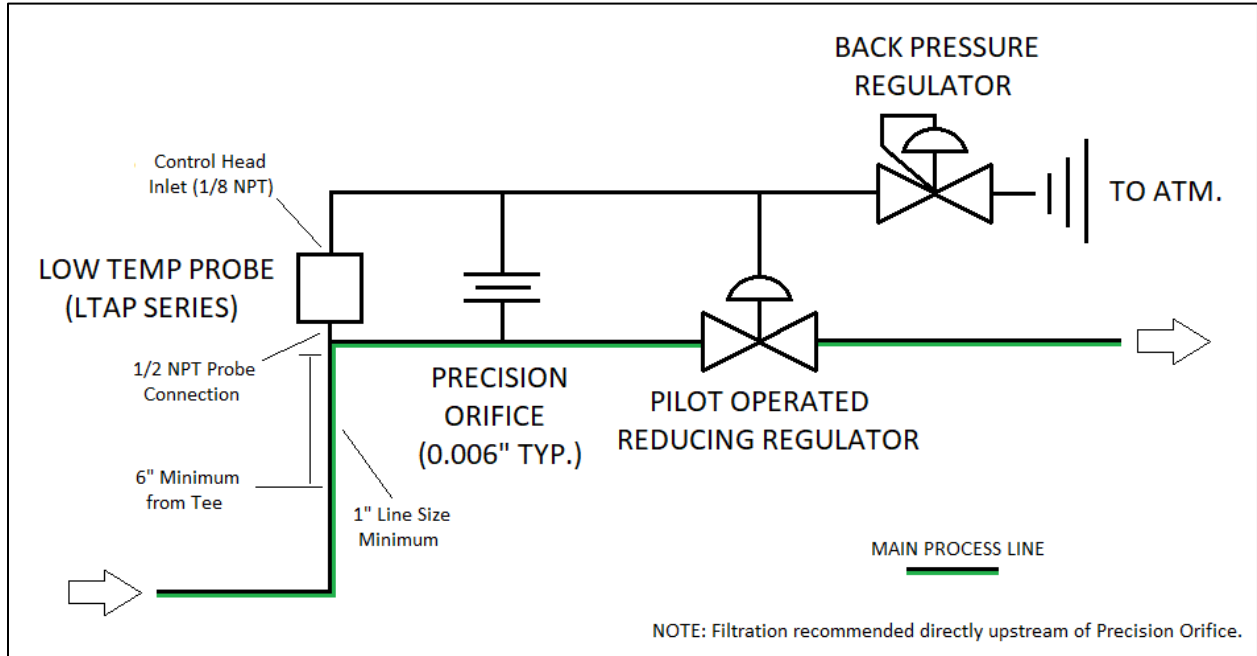


Recommended System Schematics for LTAP Series Low Temperature Actuation Probes

Configuration 1: Orifice & Back Pressure Regulator (constant bleed)



Configuration 2: Reducing Regulator & Orifice
NOTE: Reducing Regulator must be relieving type.

